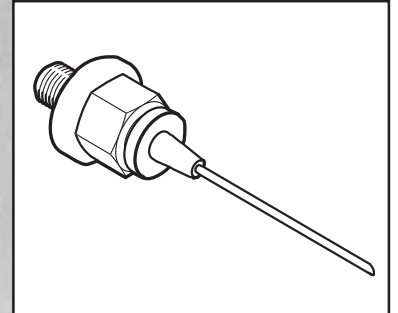
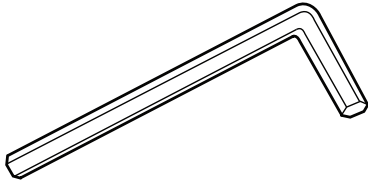


Öhlins Tools Manual



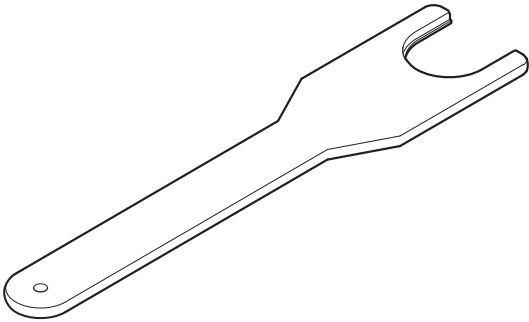
Including:
Öhlins Tools for
Shock
Absorbers
Struts
Front Forks
Steering
Dampers





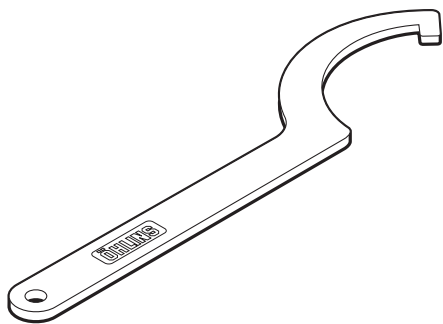
0254-02

Hexagon wrench
TT44 adjustment knob



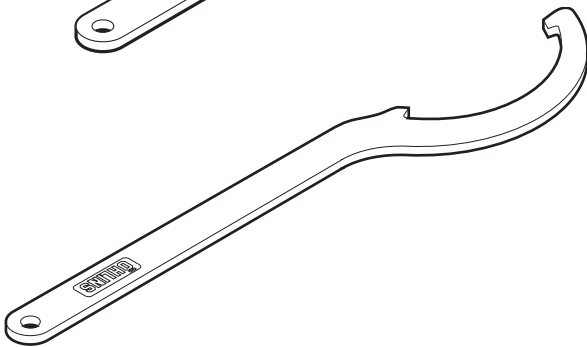
0704-01

End cap tool twin
to release the end cap



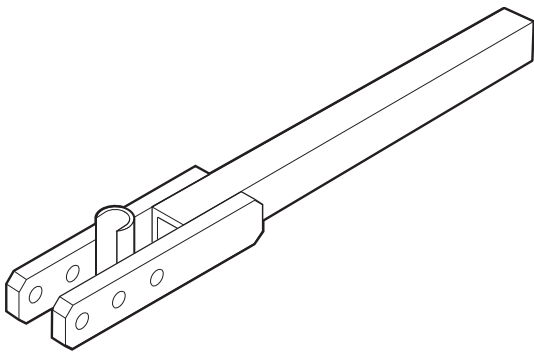
0710-01

C-spanner
for 36mm dampers
To adjust the spring pre-load



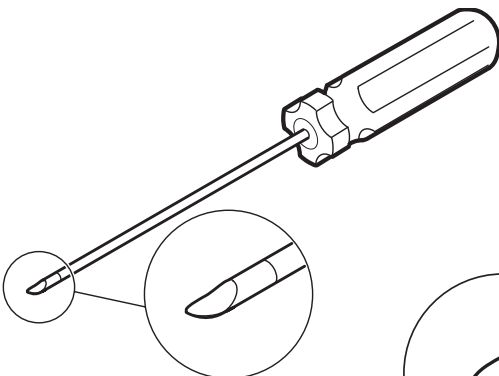
0710-02

C-spanner
for 46mm dampers
To adjust the spring pre-load



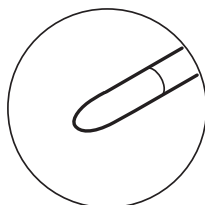
0714-01

Level arm
for 36 dampers
To release the upper circlip 0128-01



0715-01

Screw driver sharp
to release circlips on all shock absorbers



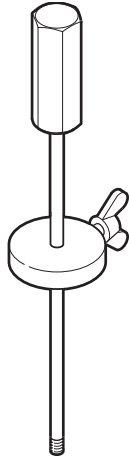
0716-01

Screw driver, snub nose
to release circlips on all shock absorbers



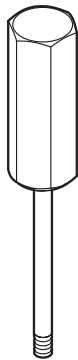
0720-01

Measure pin 3 mm
reservoir piston



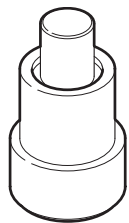
0720-02

Measure pin 6 mm
reservoir piston



0720-03

Pin tool
to remove the reservoir end cap



0721

0721-01 Mandrel ball joints
26mm

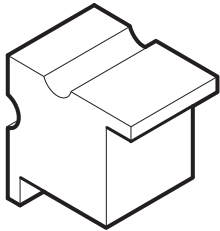
0721-02 Mandrel ball joints
22mm



0723

0723-01 Sleeve
for mandrel ball joints 26mm

0723-02 Sleeve
for mandrel ball joints 22mm

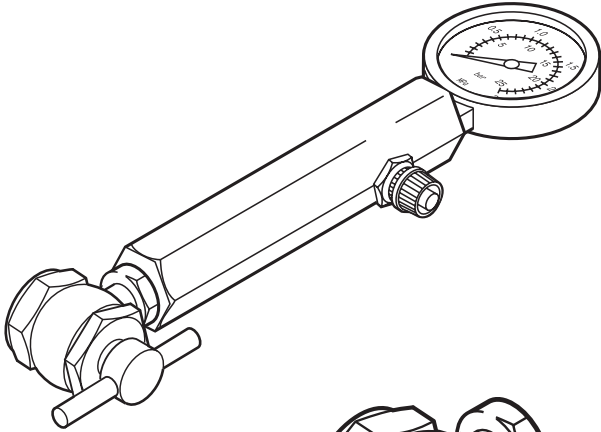


0727

0727-02 Soft jaws
for piston shafts 10-12mm

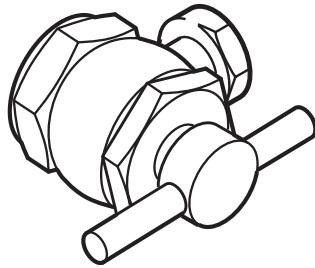
0727-03 Soft jaws
for piston shafts 14-16mm

0727-04 Soft jaws
for piston shaft 22 mm



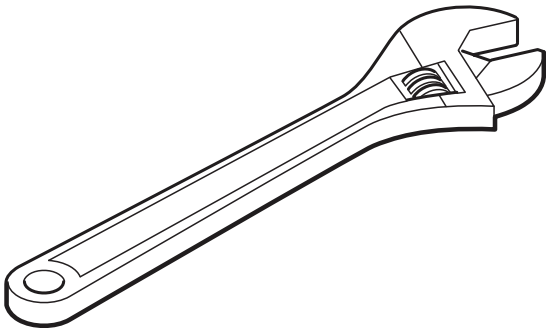
0730-01

Dial gauge
for Schrader valve (can be used together with needle 0780-01)



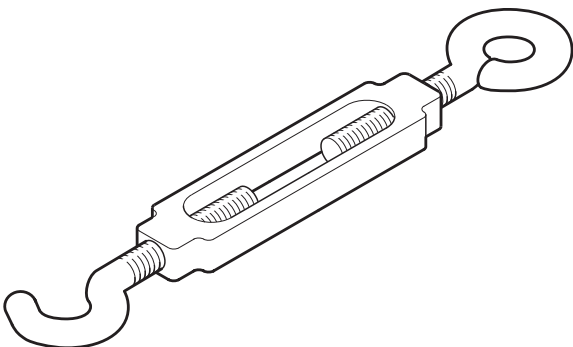
0731-01

Valve connection



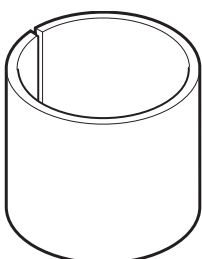
0734-01

Adjustable wrench
Bacho 222D



0735-01

Turnbuckle
to be used together with level arm 0714-01



0737

0737-01 Sleeve Ø 50

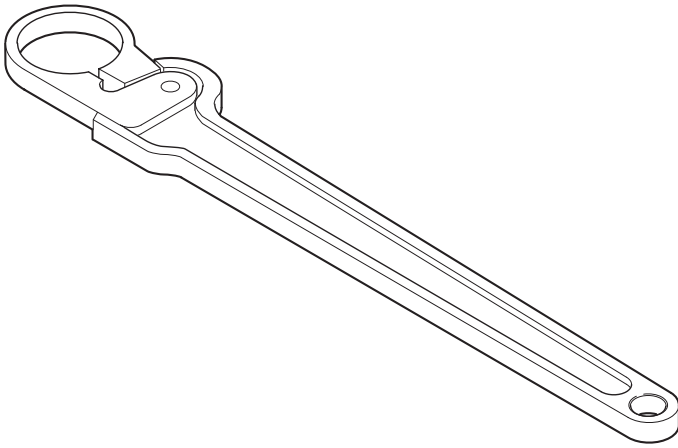
0737-03 Sleeve Ø 52

0737-04 Sleeve Ø 50.5

0737-05 Sleeve Ø 49

0737-06 Sleeve Ø 42

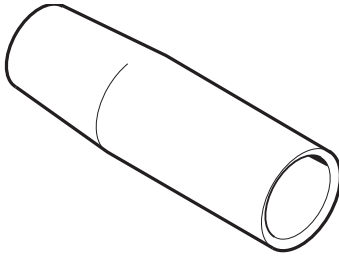
For dismounting damper tubes. To be used together with tool 738-01



0738-01

Spanner

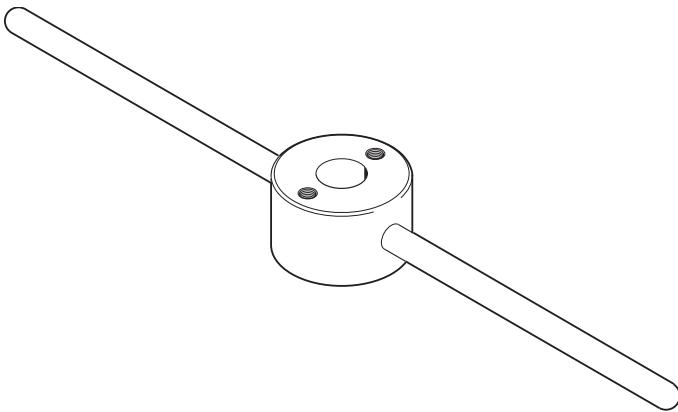
to be used together with sleeves of the 737-series



0739-01

Fitting sleeve for sealhead

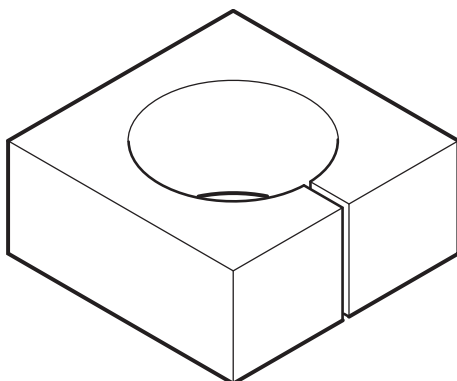
101/102 shaft



0740-01

Assembly tool

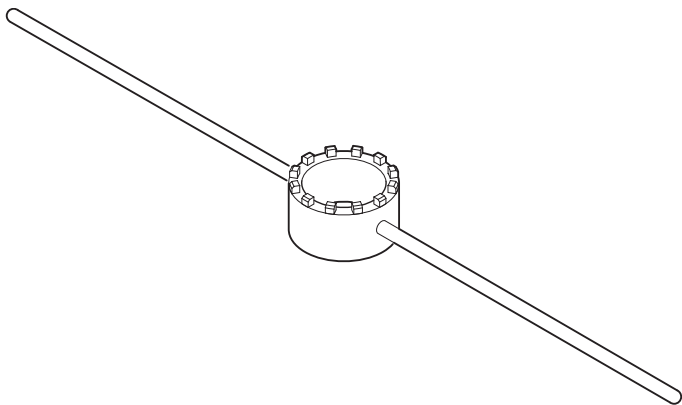
for seal 827-01 and scraper 527-02



0742-01

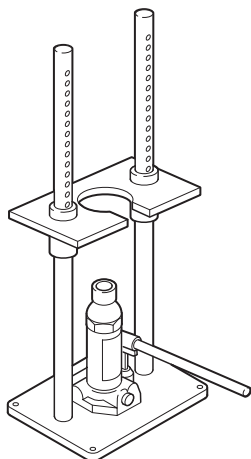
Clamping tool

to hold the seal block
all single shocks $\varnothing 46$



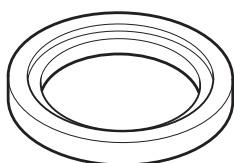
0743-01

Assembly mandrel
for lock nut 533-01



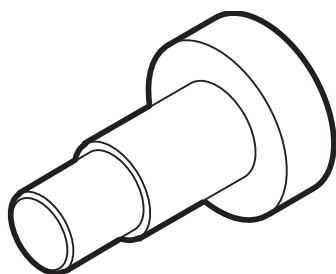
0747-01

Spring assembly tool



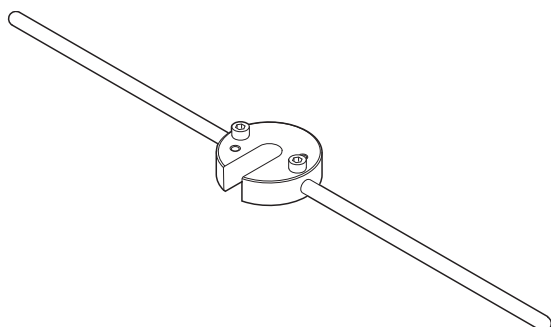
0798-01

Adapter ring
for the spring tool 0747-01, to be used on springs shock
Ø 36mm



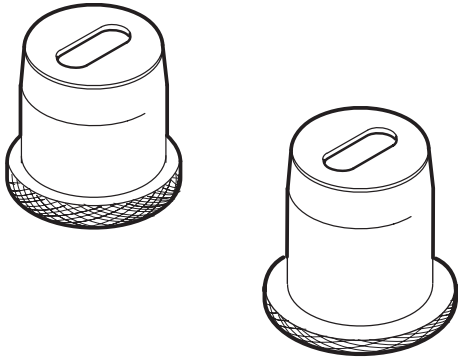
0748-01

Mandrel
for seal head 829-01



0751-01

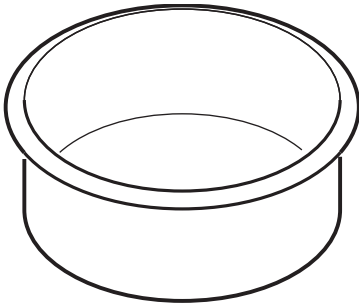
Mandrel
for the old cap 565-01



0757

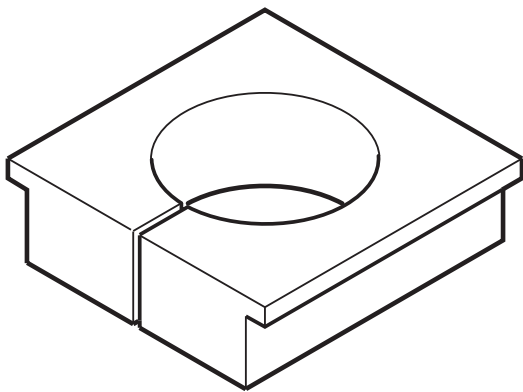
0757-01 Gas piston holder 51 mm
to set and hold the gas piston 46D shocks

0757-03 Gas piston holder 58 mm
to set and hold the gas piston 46D shocks



0764-01

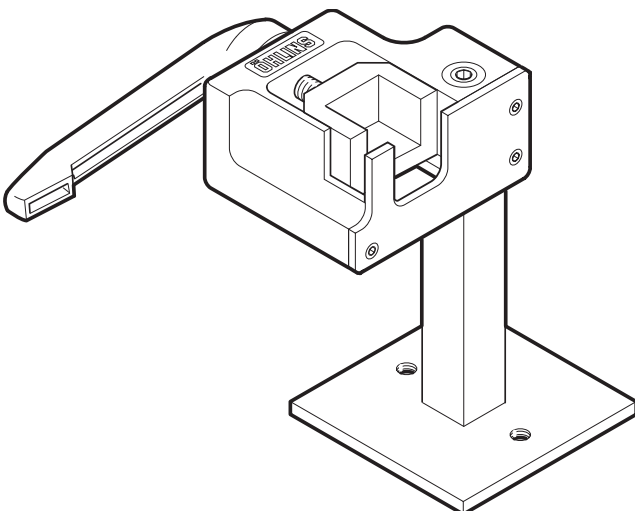
Plastic cover $\varnothing 46$



0765-01

Clamping tool

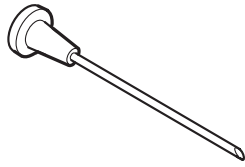
$\varnothing 50$ mm



0773-01

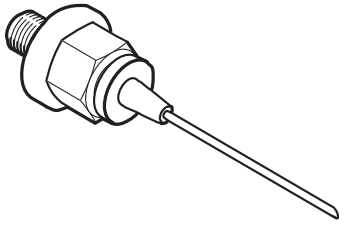
Vice assy.

Fits most Öhlins shock absorbers



0778-01

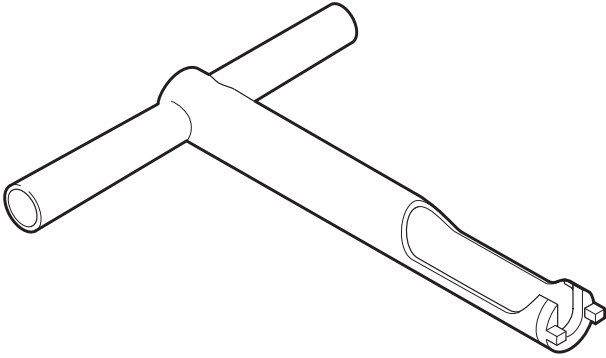
Needle for 0780-01



0780-01

Needle adapter, assy.

To be used together with 0730-01

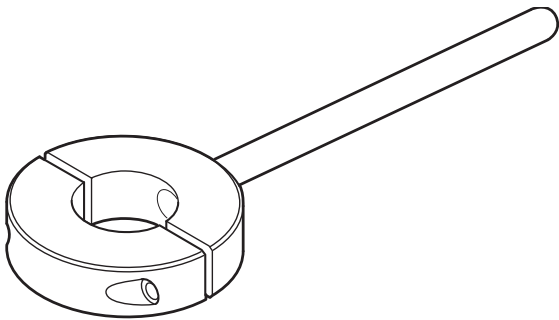


0784-01

T-handle

Öhlins Front Forks RR 125, Super Bike fork Ø 42mm
and MX-forks 1997

FG704, FG705, FG706, and FG707



0786

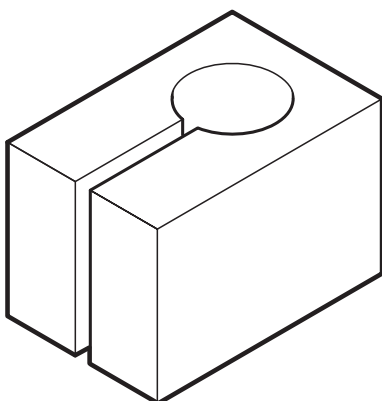
0786-01 Soft jaws clamp
to remove inner tube
front forks Ø 42mm

0786-02 Soft jaws clamp
to remove inner tube
front forks Ø 38mm

0786-03 Soft jaws clamp
to remove inner tube
front forks Ø 46mm

0786-04 Soft jaws clamp
to remove inner tube
front forks Ø 58mm

0786-05 Soft jaws clamp
to remove inner tube
front forks Ø 43mm



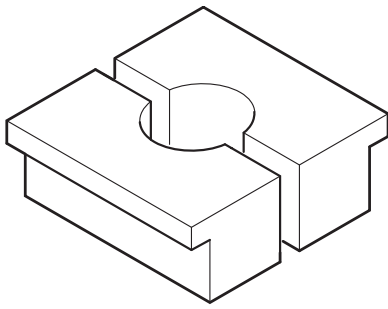
0787

0787-01 Cylinder tube holder
Cartridge.Ø 24mm

0787-02 Cylinder tube holder
Cartridge.Ø 23.85mm
RR 125 front fork.

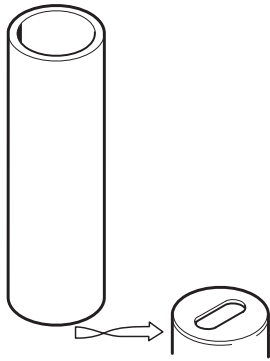
0787-03 Cylinder tube holder
Cartridge. Ø 29.10mm
MX and R&T front fork

0787-04 Cylinder tube holder
Cartridge.Ø 28.10mm
RR&SB front fork



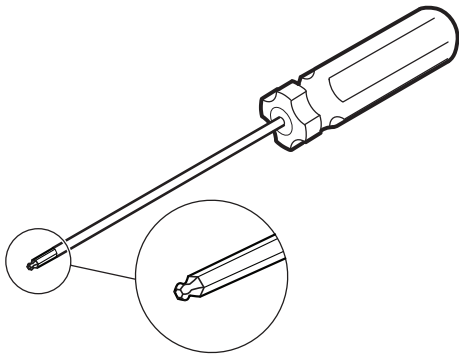
0791-01

Clamping tool Ø 40 mm



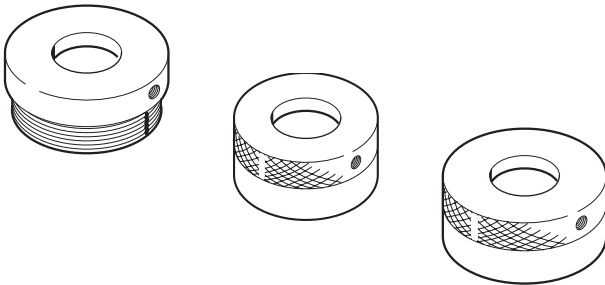
0792-01

Adjuster tube
for retainer 796-



0794-01

Hexagon screwdriver 3 mm

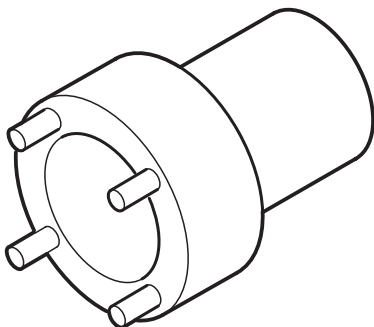


0796

0796-02 Retainer floating piston 46 DR
for 1110-cylinder tubes

0796-03 Retainer floating piston 36 DR
for 300-cylinder tubes

0796-04 Retainer floating piston 46 DR
for 1010-cylinder tubes



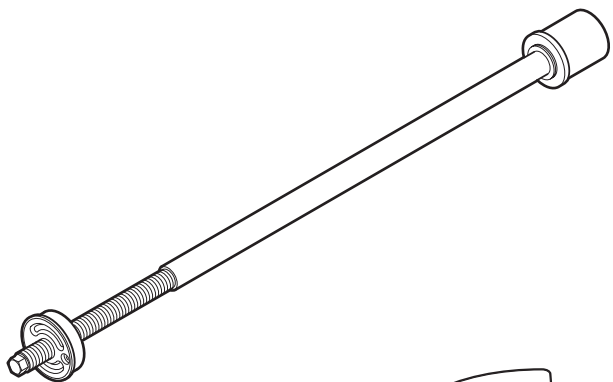
0797

0797-01 Pin sleeve socket
top nut RR&SB front fork and end piece
McPherson

0797-02 Pin sleeve socket
top nut MX front fork conventional type

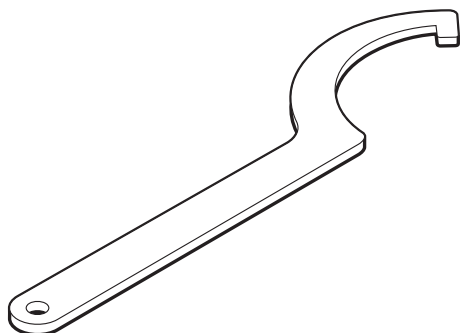
0797-03 Pin sleeve socket
top nut RR 125 front fork

0797-04 Pin sleeve socket
top nut R&T front fork



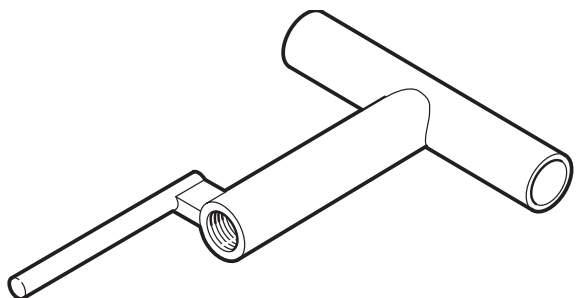
1702

1702-03 Bushing remover
MX USD front fork
All models



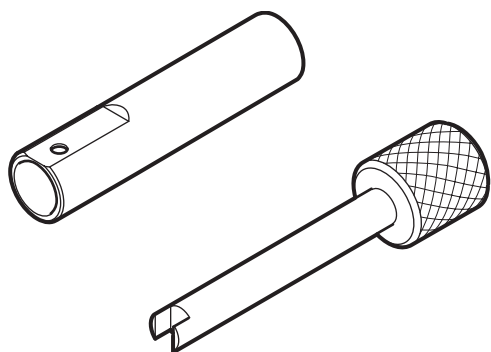
1705-01

C Spanner 30/32



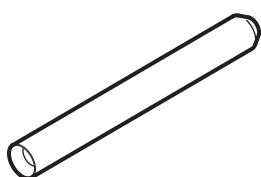
1706-01

Gas piston level tool
Yamaha snowmobile TSS front strut



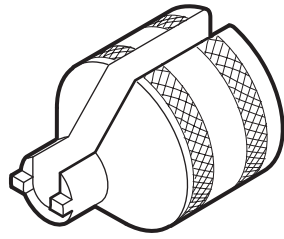
1707-01

Mounting tool assy.
for installing of the steel balls in the adjusting knob on the
steering damper



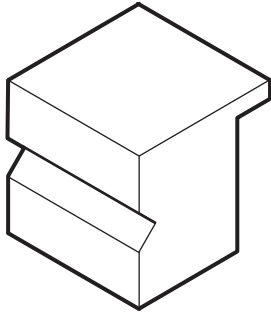
1708-01

Guide pin
seal assembly steeringdamper R&T



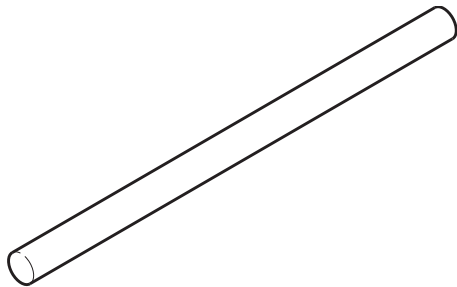
1709-01

Seal cover remover
steering damper R&T



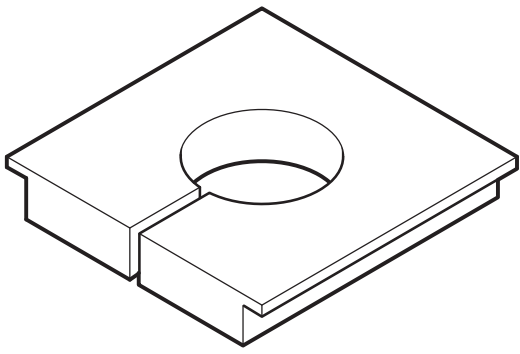
1712-01

Soft jaws
for the 8 mm shaft steering damper R&T



1713-01

Teflon bar
Removal tool for seals and bushings steering damper R&T

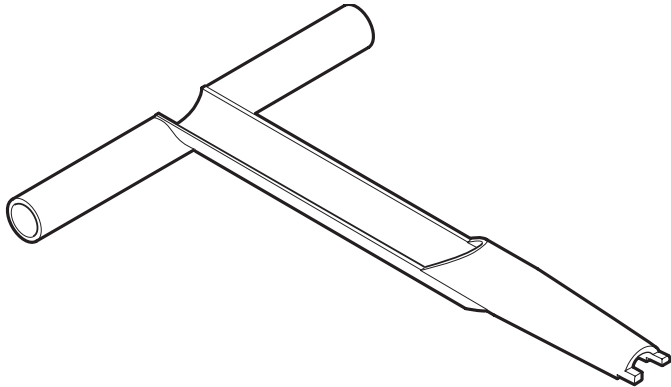


1718-01

Cylinder tube holder

Yamaha Snowmobile TSS front strut

Ø 36 mm

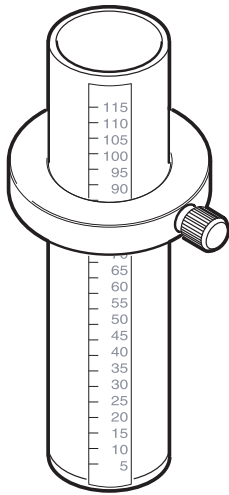


1719-01

T-handle tool

cartridge tube front forks Super Bike 1993-1997 and
MX forks 1996.

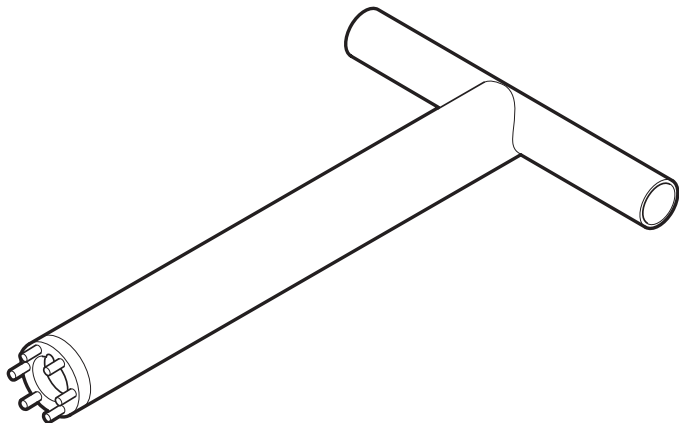
FG604, FG605, FG606 and FG607



1723-01

Gas piston level tool

Snowmobile shocks 36D type



1724-01

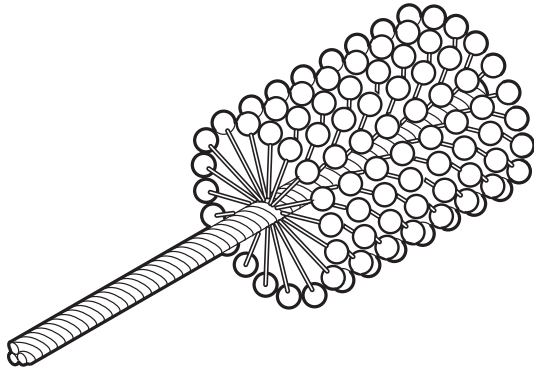
T-handle tool

cartridge tube MX-front forks 1995.

FG504, FG505, FG506 and FG507

1725-01

Hone brush, Ø 20 mm



1726/27

1726-01 Hone brush, Ø 29 mm
for polished alu. tubes

1727-01 Hone brush, Ø 38 mm
for polished alu. tubes

1727-02 Hone brush, Ø 38 mm
for polished steel tubes, 600 SC grid

1727-03 Hone brush, Ø 38 mm
for polished steel tubes, 800 SC grid

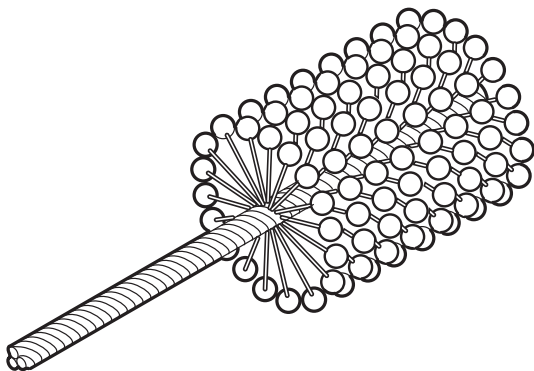
1728/41

1728-01 Hone brush, Ø 45 mm
for polished alu. tubes

1728-02 Hone brush, Ø 45 mm
for polished steel tubes, 600 SC grid

1728-03 Hone brush, Ø 45 mm
for polished steel tubes, 800 SC grid

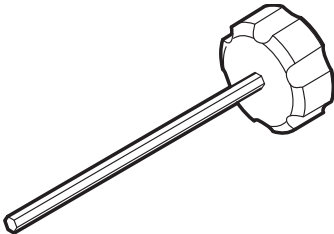
1741-01 Hone brush, Ø 32 mm
for polished alu. tubes



1743-01

Adjustment tool

for rebound adjustment on car shocks. (Honda S2000 and Porsche)



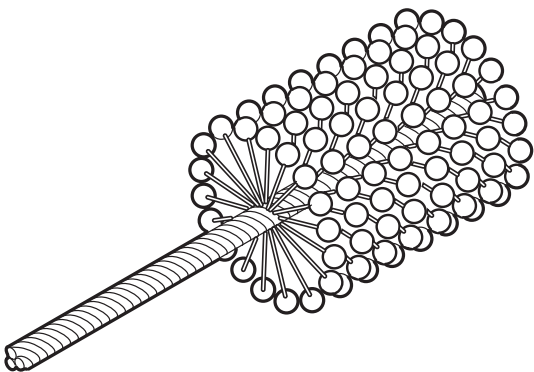
1744

Hone brush

1744-01 Hone brush, Ø 51 mm
Alu

1744-02 Hone brush, Ø 51 mm
600 SC

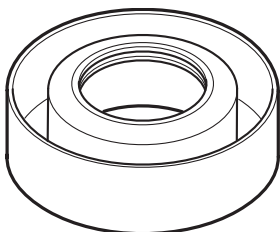
1744-03 Hone brush, Ø 51 mm
800 SC

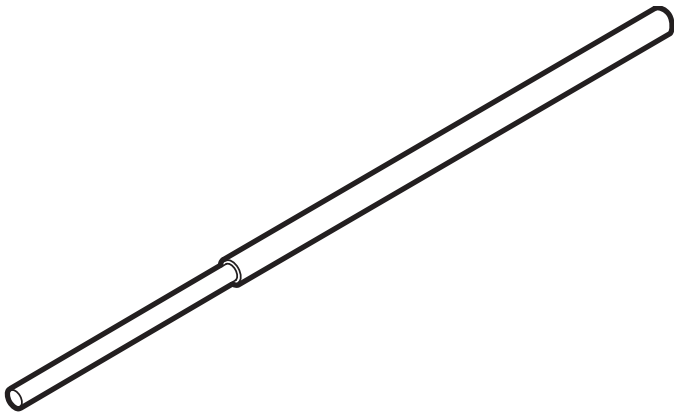


1746-01

Oil retaining

cup Ø 54.5mm, cylinder tube

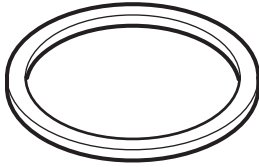




1748-01

Push rod tool

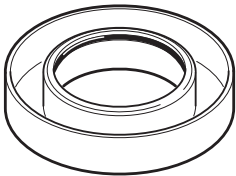
to press in the rebound adjustment needle in the shaft end



1749-01

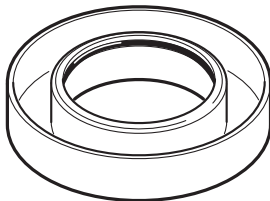
Adjustment ring

to be use together with tool 0757-01 to set the gas piston hight



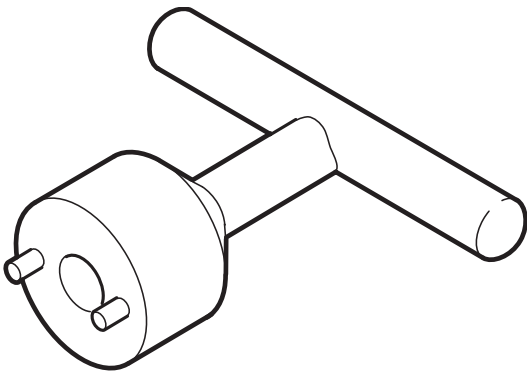
1752-01

Oil retainer cup, assy.
40 mm damper tube



1753-01

Oil retainer cup, assy.
50/51 mm damper tube



1754-01

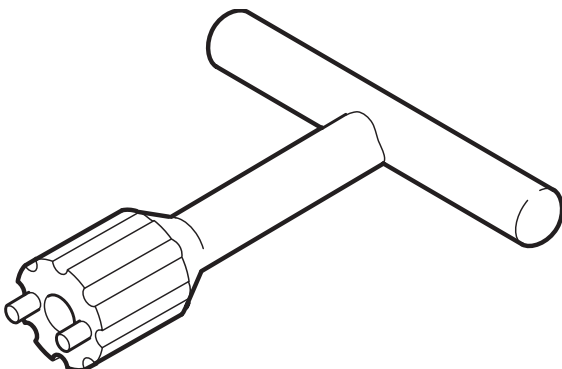
T-handle

for the hydraulic preload adjuster
46mm shock absorbers

1755-01

T-handle

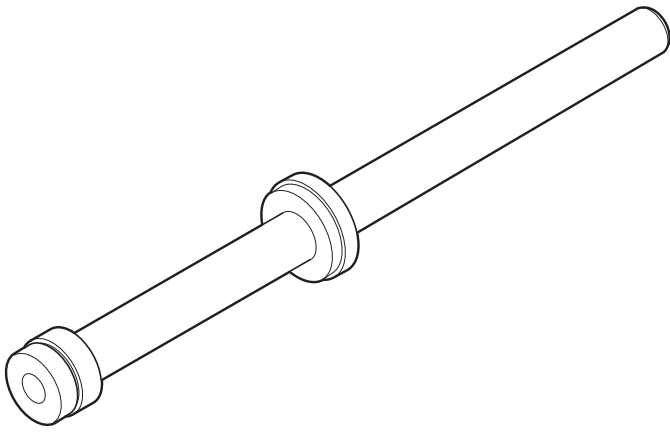
for the compression valve
36mm shock absorbers



1756-01

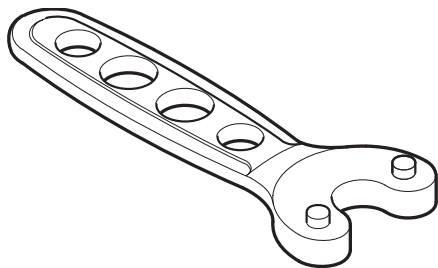
T-handle

for the hydraulic preload adjuster
36mm shock absorbers



Front fork bushing tools

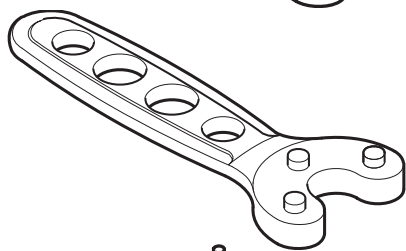
- 1757-01 Attachment bar
Front Fork bushing
- 1758-01 Guide ring Ø 46mm,
for attachment bar 1757-01
- 1758-02 Guide ring Ø 42mm,
for attachment bar 1757-01
- 1758-03 Guide ring, fork Ø 38mm
for attachment bar 1757-01
- 1758-04 Guide ring, fork Ø 43mm
for attachment bar 1757-01
- 1759-01 Installation sleeve, fork Ø 46mm
for attachment bar 1757-01
- 1759-02 Installation sleeve, fork Ø 42mm
for attachment bar 1757-01
- 1759-03 Installation sleeve, fork Ø 38mm
for attachment bar 1757-01
- 1759-04 Dismantling sleeve, fork Ø 46mm
for attachment bar 1757-01
- 1759-05 Dismantling sleeve, fork Ø 42mm
for attachment bar 1757-01
- 1759-06 Dismantling sleeve, fork Ø 38mm
for attachment bar 1757-01
- 1759-07 Dismantling sleeve, fork Ø 43mm
for attachment bar 1757-01
- 1759-08 Installation sleeve, fork Ø 43mm



1761-01

Peg spanner

top cap TT44 shocks and
top cap MX-front forks USD 1998-2001



1761-02

Peg spanner

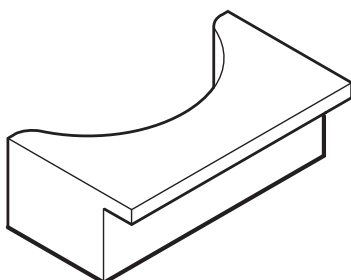
top cap MX-front forks USD 2002 →



1762-01

Peg spanner

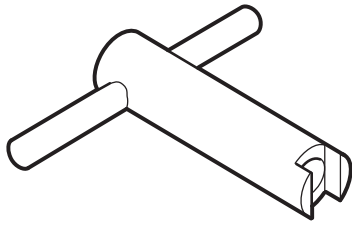
spring preload adjustment TT44



1763-01

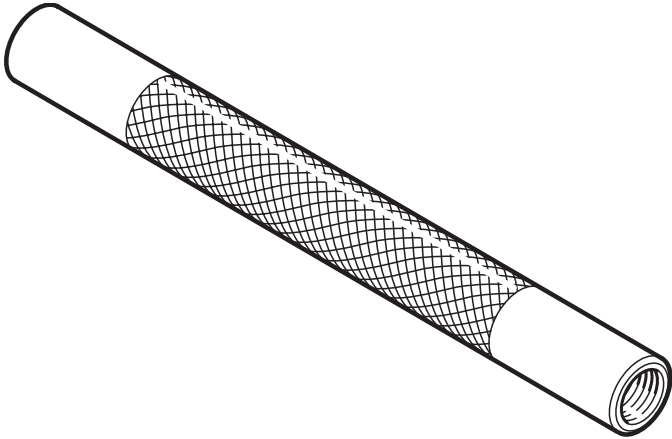
Soft jaws Ø 56mm

For 5906 hose attachment ring



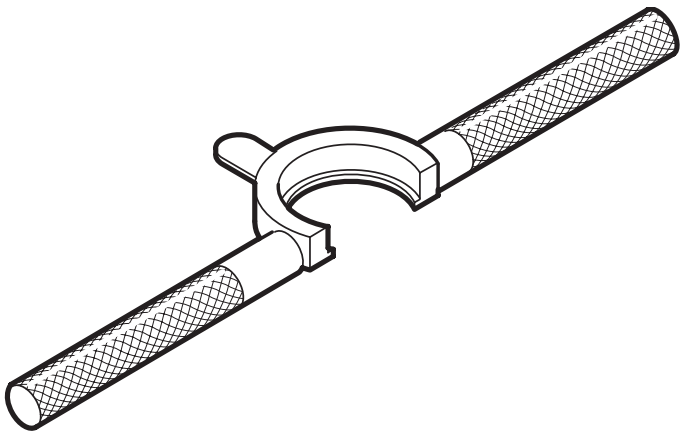
1764

- 1764-01 T-handle
for needle housing 5421-01
on TT44 shocks 42 mm length
- 1764-02 T-handle
for needle housing 5421-01
on TT44 shocks 100 mm length



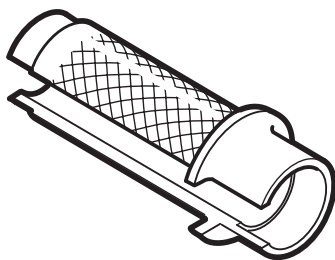
1765

- 1765-01 Pull-up rod M16/M17
top out spring Super Bike front forks,
to be use together with tool 1766-01
- 1765-02 Pull-up rod M12
top out spring Super Bike front forks \varnothing 43,
to be use together with tool 1766-01



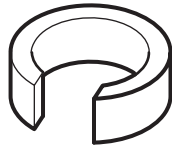
1766-01

- T-handle
preload tube pusher Super Bike front forks, to be use
together with tool 1765-01



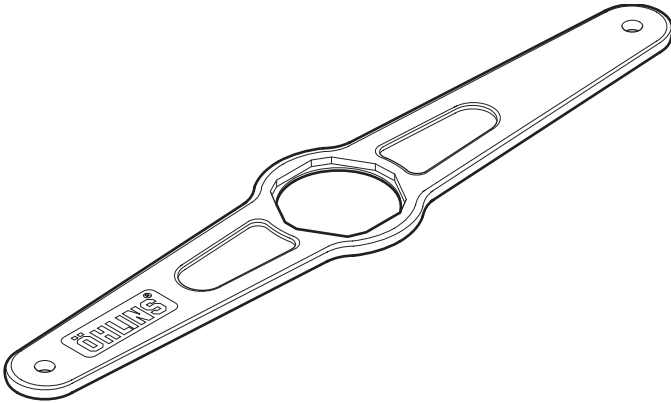
1768

- 1768-01 Pushing sleeve
to press down the seal head on
WCJ / MCJ shocks when setting the
gas piston position, 120mm
- 1768-02 Pushing sleeve
to press down the seal head on
WCJ / MCJ shocks when setting the
gas piston position, 85mm



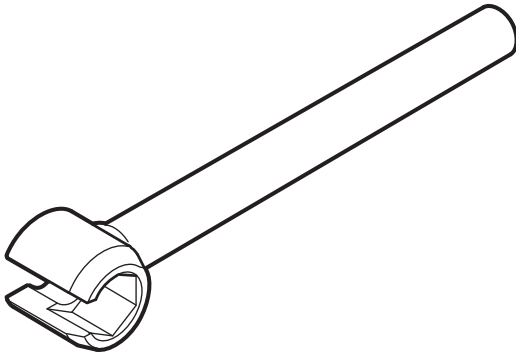
1769

- 1769-01 Spacer 6mm
to use together with tool 1768-02
when setting the gas piston position
- 1769-02 Spacer 26mm
to use together with tool 1768-02
when setting the gas piston position
- 1769-03 Spacer 21mm,
to use together with tool 1768-02
when setting the gas piston position
- 1769-04 Spacer 41mm
to use together with tool 1768-02
when setting the gas piston position



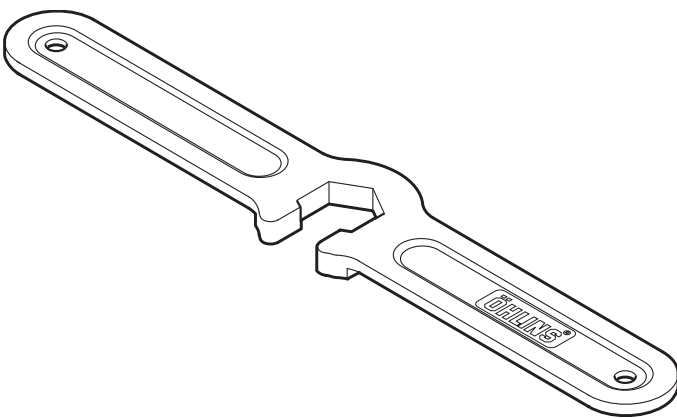
1771-01

- Wrench 63mm
For lock nut 5847-01 TT44 shocks



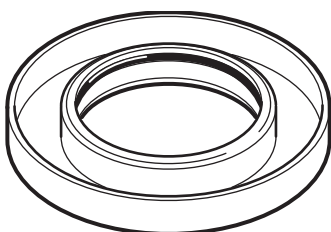
1772-01

- Wrench 23mm
Steel, for end eye lock nut on TT44 shocks



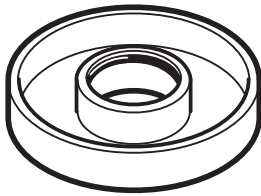
1772-02

- Wrench 23mm
Aluminium, for end eye lock nut on TT44 shocks



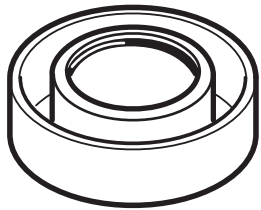
1776-01

- Oil retaining cup TT44
cylinder tube Ø 52mm



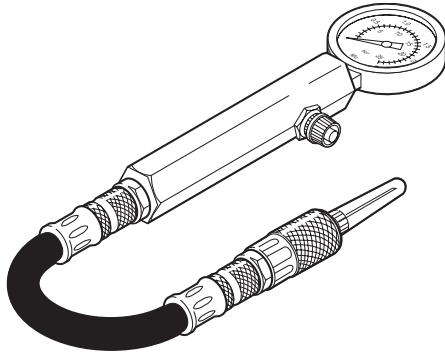
1776-02

Oil retaining cup 16 mm
for TT44 shocks with adjuster in shaft



1776-03

Oil retaining cup
Cylinder tube Ø 49 mm

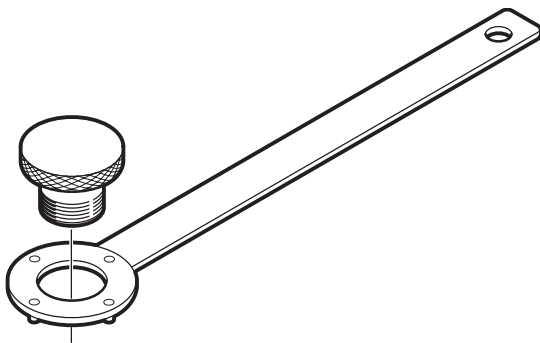


1781-01

Gas filling device assy.

Gas filling spare parts:

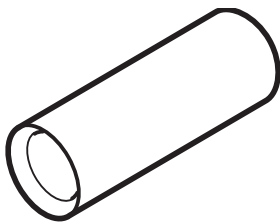
0338-01	O-ring
0729-02	Guage
0778-01	Needle
1778-01	x2 Quick connector M10
1777-01	Hose
1779-01	Housing
1780-01	Cover needle



1784-01

Tool for Hydraulic stop

FG 7040
FG 7050
FG 7060
FG7070
FG 7080

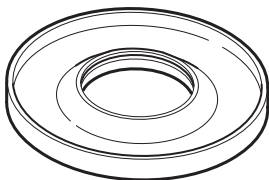


1785

1785-01 Mounting sleeve 40mm
for mounting seal head assy.
on 5000 shaft

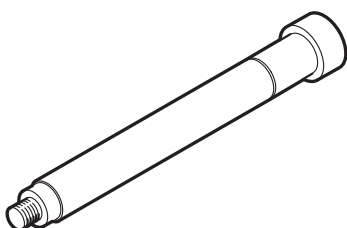
1785-02 Mounting sleeve 43mm
for mounting seal head assy.
on 5500 shaft

1785-03 Mounting sleeve 70mm
for mounting seal head assy.
on 1287 shaft



1786-01

Oil filling tool
hydraulic preload adjuster 46mm dampers



1788-01

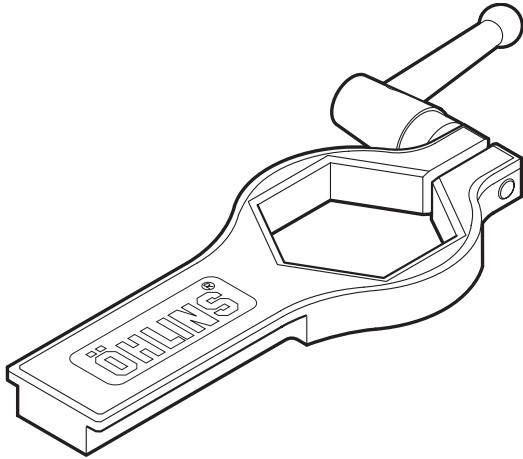
Mounting tool
for 1288-03 PDS-shock



1793-01

Peg spanner

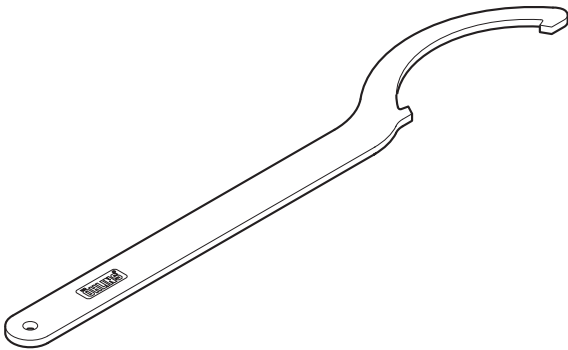
for high speed compression and rebound adjustable TT shock absorbers



1795-01

Damper holder

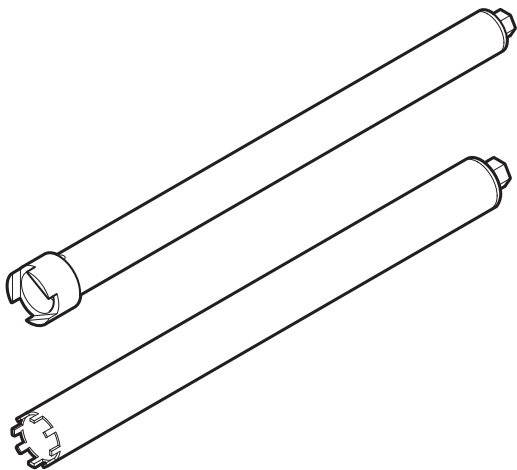
WCJ/MCJ (Winston Cup) shock absorbers



1796-01

C-spanner

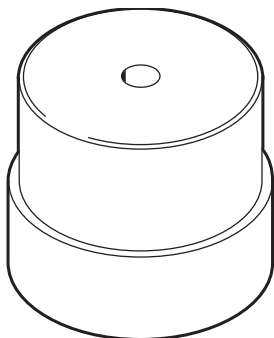
for adj. spring preload on Mc-Pherson struts



1797

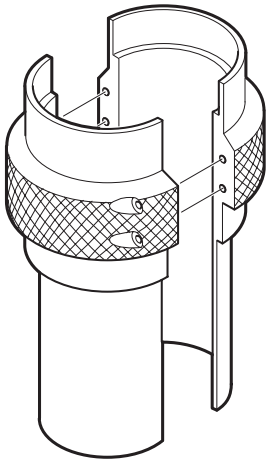
1797-01 Tool cartridge top cap
(25mm damping system) for Super Bike
and MX front forks 1998-2001 models

1797-02 Tool cartridge top cap
(FG Ø 43 Super bike)



1798-01

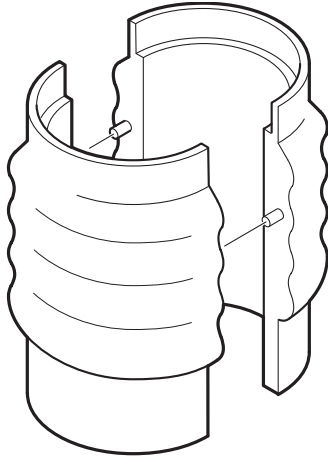
Cylinder tube plug 46 mm



1799-01

Mounting sleeve

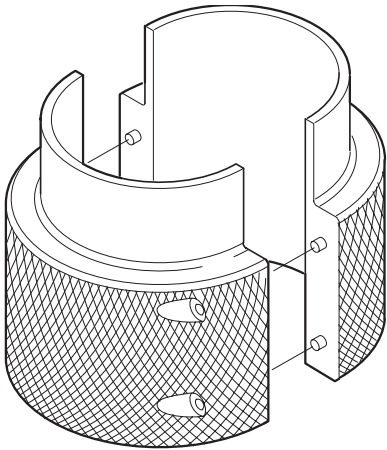
for install bushing and seals on
MX-front fork model 1998



1799-02

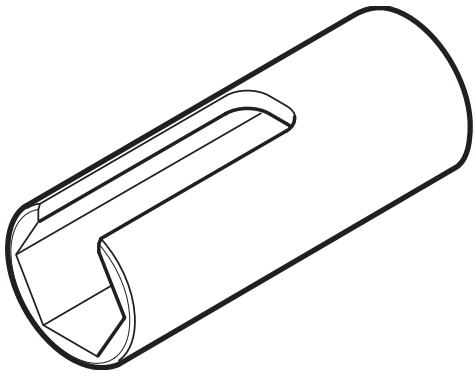
Mounting sleeve

for install bushing and seals on
MX-front forks model 1999- models



1799-03

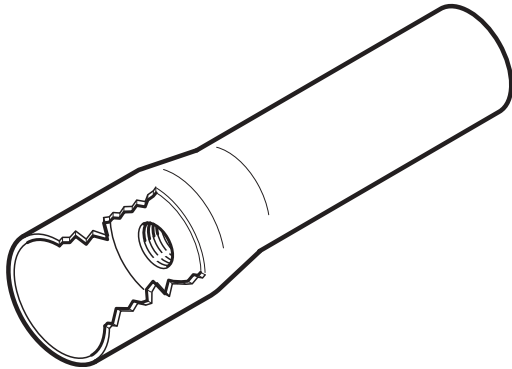
Mounting sleeve bushing \varnothing 54



1800-01

Mounting socket

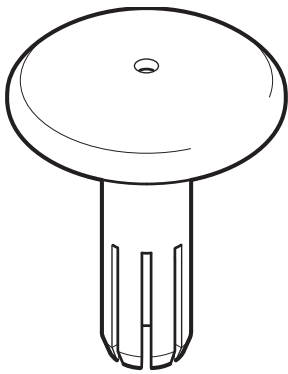
for top mounting on Volvo V70 AWD rear shocks



1801-01

Guide sleeve

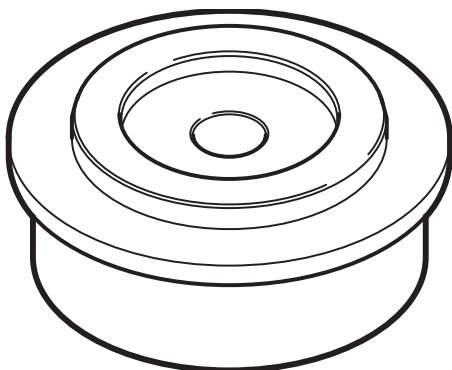
for circlip on 5508 shafts, used together with 1802-01



1802-01

Mounting sleeve

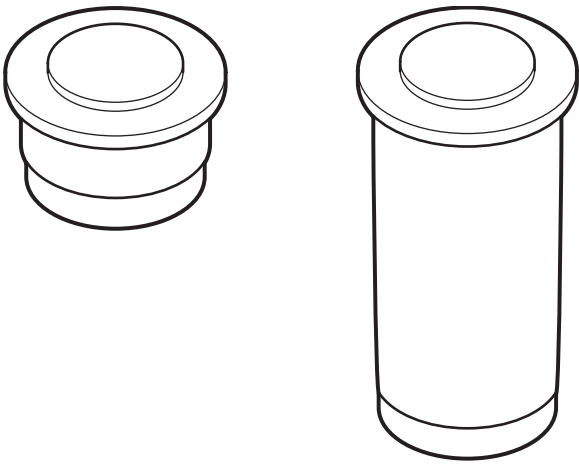
for circlip on 5508, used together with 1801-01



1803-01

Dolly lower

for mounting bushing into 50mm Mc-Pherson strut



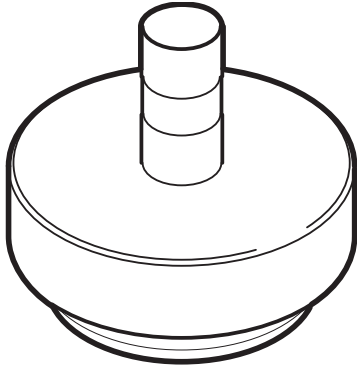
1804-01

1804-01 Bushing mounting tool

for mounting bushing into
50/39 mm Mc-Pherson strut

1804-02 Bushing mounting tool

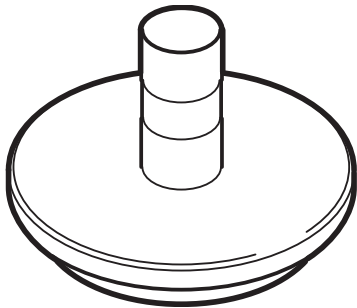
for mounting bushing into
50/126 mm Mc-Pherson strut



1805-01

Scraper mounting tool

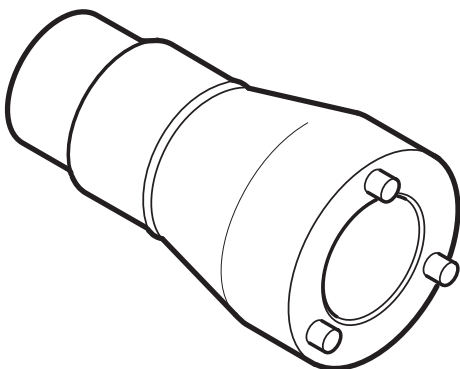
for mounting scraper into 50mm Mc-Pherson strut



1806-01

Upper dolly

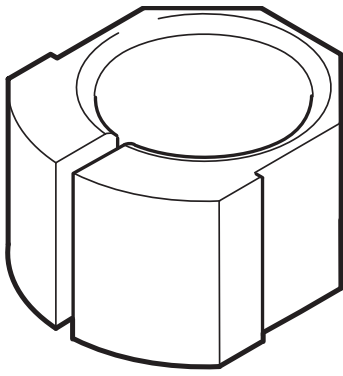
for mounting bushing into 50mm Mc-Pherson strut



1807-01

Socket

for tightening the cylinder head 5188 and 5594



1808

1808-01 Soft jaws 50mm
for MC-Pherson outer tube

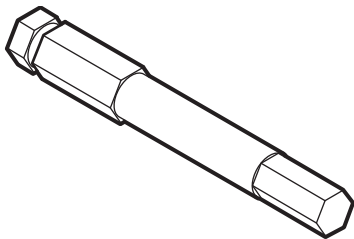
1808-02 Soft jaws 54mm
for Mc-Pherson outer tube



1810-01

Support sleeve

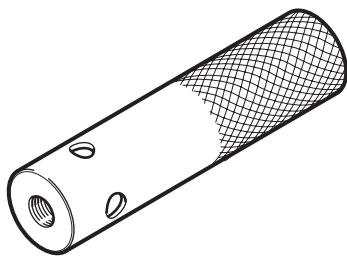
for tool 1807 when tightening cylinder head 5188



1813-01

Allen key

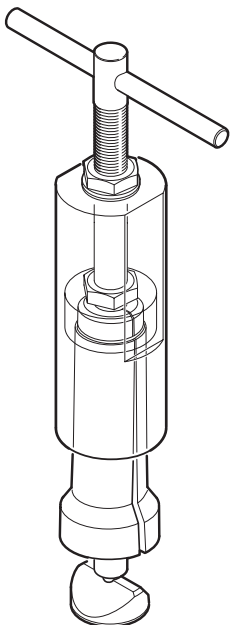
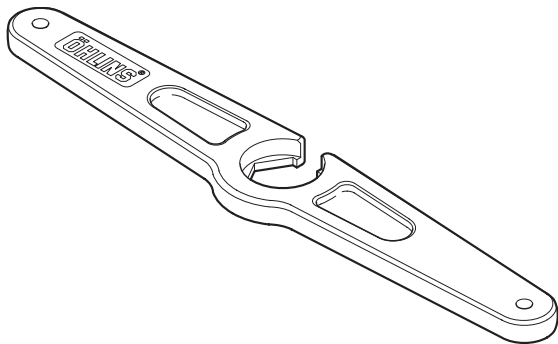
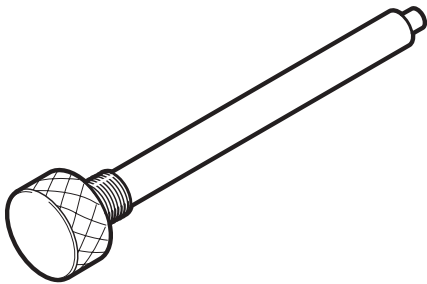
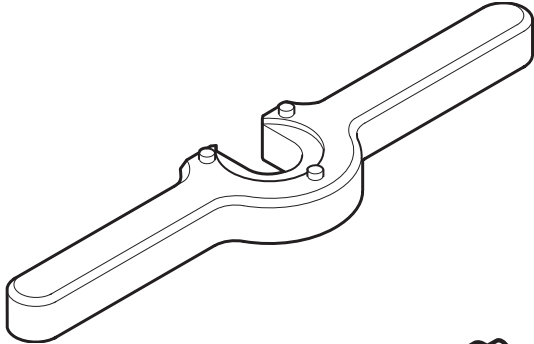
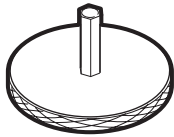
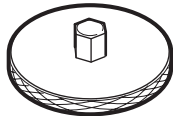
for mounting and dismantling shaft unit on
stage 3 rally shocks



1814-01

Mounting holder shaft

for mounting shaft units on stage 3 rally shocks



1822

1822-01 Adjustment knob
for adjusting rebound damping on
Rally shock absorbers (8 mm hexagon)

1822-02 Adjustment knob
for adjusting rebound damping on
Rally shock absorbers (3 mm hexagon)

1823-01

Wrench bottom plug and cylinder cap
stage 3 Rally shocks

1824

1824-01 Retainer pin 95mm
to set the gas piston
Toyota Rally shocks

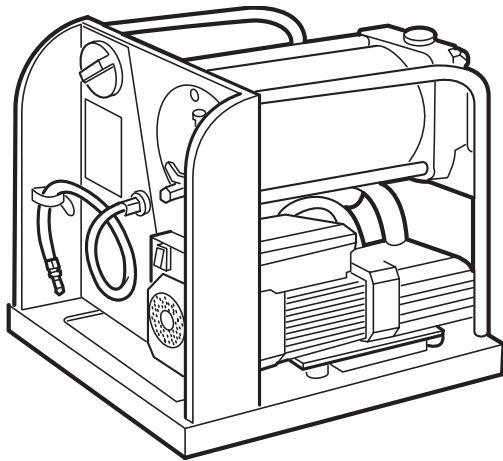
1824-02 Retainer pin 110mm
to set the gas piston
Toyota Rally shocks

1826-01

Wrench 1 5/8"
For seal head 5615-01 STJ shocks

1828-01

Bushing removal tool
for 50mm Mc-Pherson outer tube



1840-01

Oil filling machine

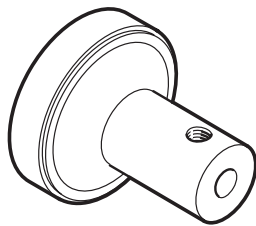
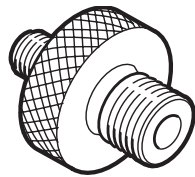
1820

1820-01 Adapter
M5 Öhlins oil filling machine

1820-03 Adapter
M11x1 for steering damper
R&T Öhlins oil filling machine

1820-04 Adapter
M4 Öhlins oil filling machine

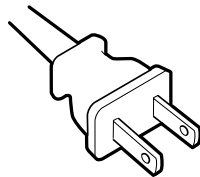
1820-05 Adapter
M6 Öhlins oil filling machine



1821

1821-01 Retainer 44mm. floating piston
Filling Machine

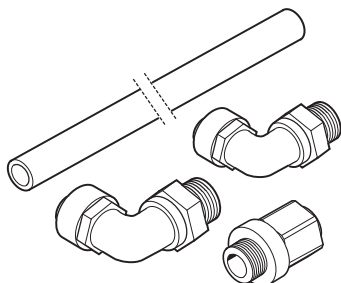
1821-02 Retainer 49mm. floating piston
Filling Machine



1825

1825-01 Electric cable for 1840-01, Europe

1825-02 Electric cable for 1840-01, US

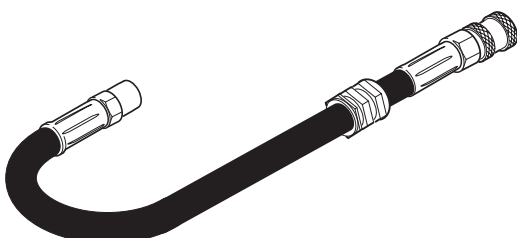


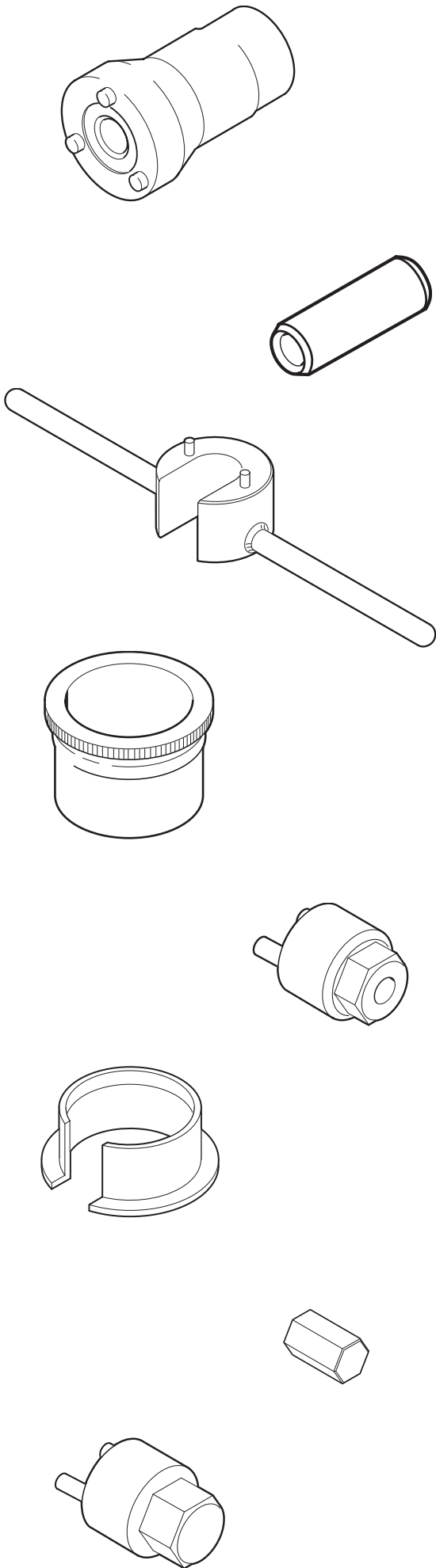
1832-01

Tube and connection kit for 1840-01

1833-01

Filling hose for 1840-01





1857

1857-01 Tool cylinder head
Mc Pherson Ø 40 for cylinder head 5911-01 and 5911-02

1857-02 Tool cylinder head
Mc Pherson Ø 40 with sleeve 5991-01 for cylinder head 5911-03 and 5911-04.

With sleeve 5991-02 for cylinder head 5911-01 and 5911-02.

5991

5991-01 Sleeve for cylinder head 5911-03 and 5911-04

5991-02 Sleeve for cylinder head 5911-01 and 5911-02

1858-01

Wrench

1859-01

Positioning tool WCJ
divider piston 57,6x46

1860-01

Tool compression adjuster (Bob)

1861

1861-01 Mounting sleeve for piston band TT40

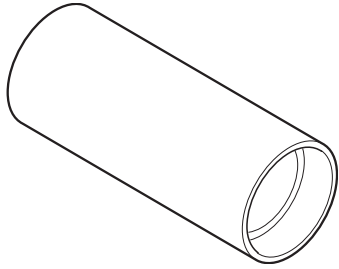
1861-02 Mounting sleeve for piston band TT44

1862-01

Allen key 22 mm for FG842

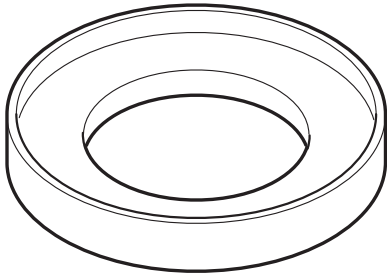
1863-01

Tool for poppet valve 2415-01 MX Front Fork



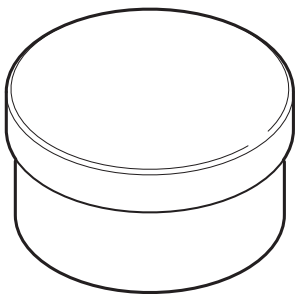
1866-01

Spring tool HD Softail to be used with 0747-01



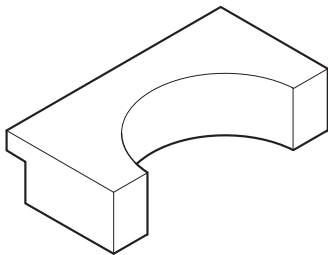
1867-01

Spring tool HD Softail to be used with 0747-01



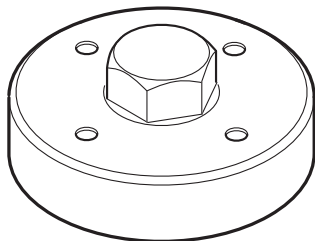
1868-01

Mandrel Ø 82 mm HD Softail



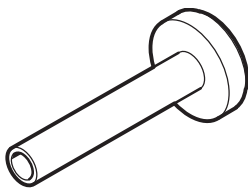
1869-01

Clamping tool for 3217-01 Ø 82 mm HD Softail



1870-01

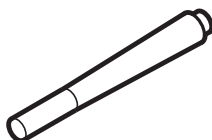
Tool for 3217-01 HD Softail



1871-01

Push tool

For installation of circlip 1499-04



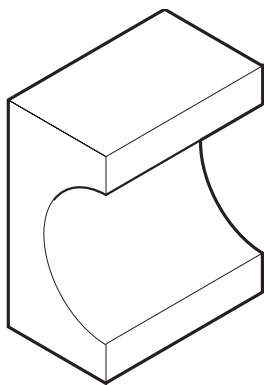
1872-01

Cone

For installation of circlip 1499-04

3179-01

Soft jaws Ø 33



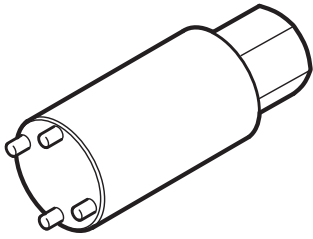
3199-01

Pre-load adjuster tool
Cruiser shocks 36K



4106

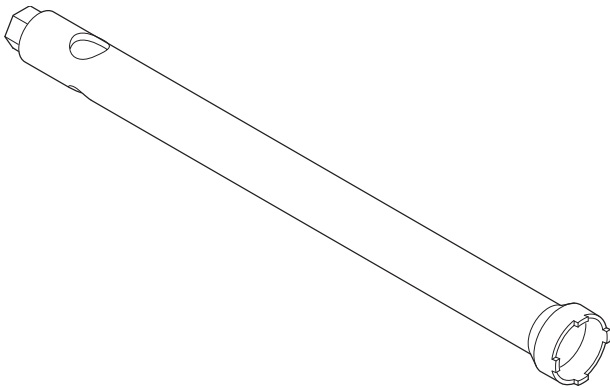
4106-03 To remove or install the compression check valve on high/low compression adjuster



4701-01

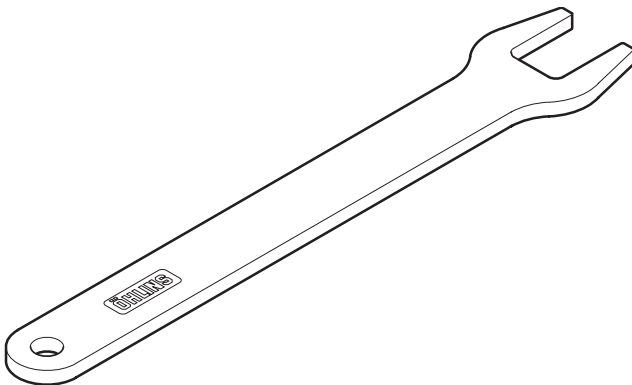
Toolkit FG 43 R/T

00786-05	Fork tube tool 43
00787-03	Cylinder tube holder Ø 29,1 mm
00797-04	Top nut tool FG 43
04702-01	Cartridge tool
04705-01	Top nut holder tool
04706-01	Tool box, wood



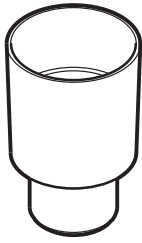
4702-01

Cartridge tool
R&T Front Fork Ø 43



4705-01

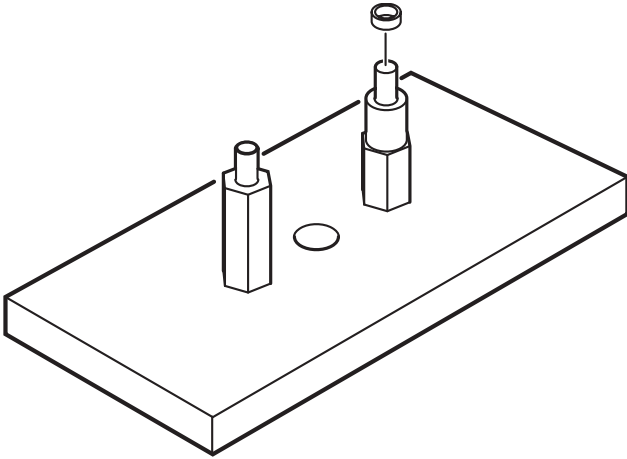
U-spanner



4951-01

Seal mounting sleeve

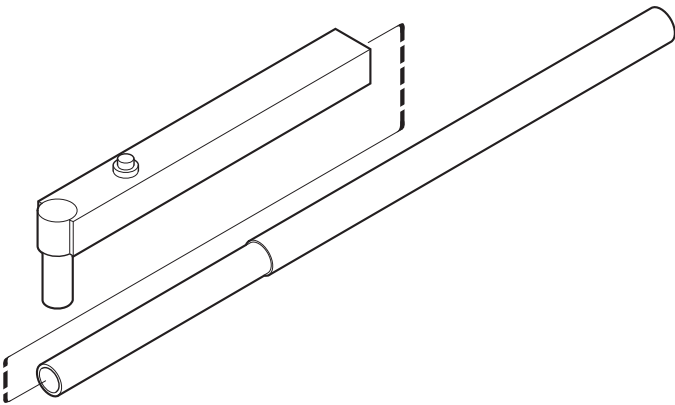
Off Road steering damper. To protect the X-ring when mounting the wing in damper housing



4952-01

Vice and test device

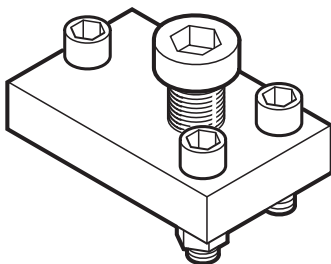
for testing damping function after service



4953-01

Arm

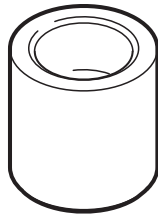
test device



4954-01

Link arm puller

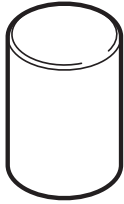
Off Road steering damper.



4955-01

Mounting mandrel linkarm

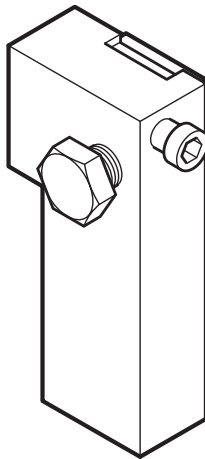
Off Road steering damper. To be used together with tool 4956-01



4956-01

Mounting mandrel linkarm

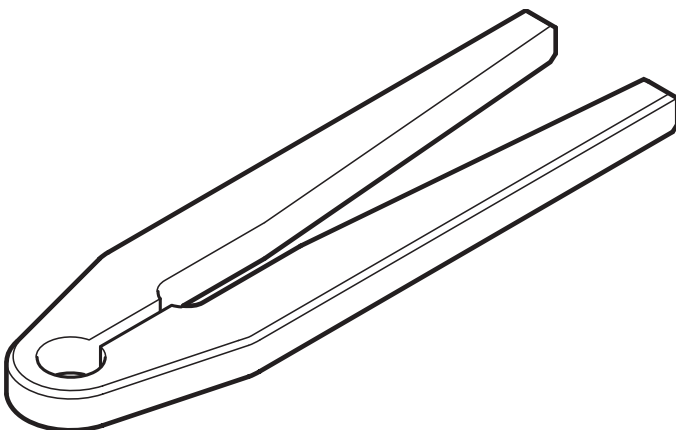
Off Road steering damper. To be used together with



4957-01

Holder for linkarm

Off Road steering damper. When dismantling the lock nut



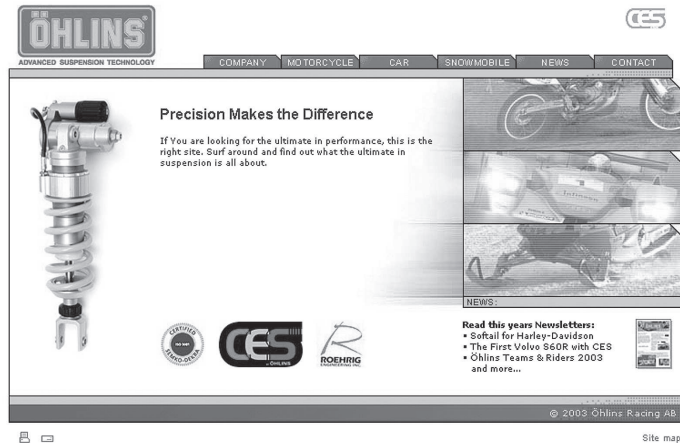
4960-01

High speed valve

tool for Off Road steering damper

More info

www.ohlins.com



The ultimate suspension site.
Find out everything about your suspension.
Download mounting instructions, manuals and brochures.
And a lot more.



Öhlins Racing AB, Box 722, S-194 27 Upplands Väsby, Sweden
Phone +46 8 590 025 00, Fax +46 8 590 025 80

Your Öhlins dealer: