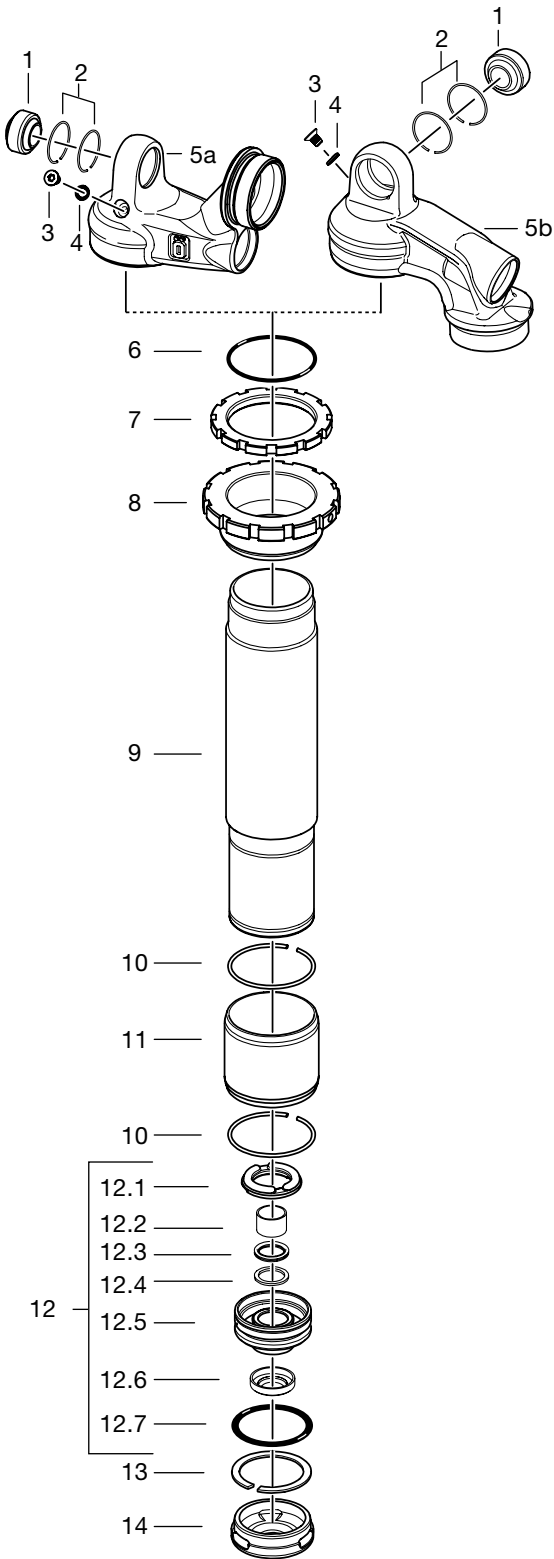


Figure 1 - Shock Absorber Body and Cylinder Head



Pos	Part No	Pcs	Description	Notes
1-1	05536-19	1	Ball joint	
1-2	00557-01	2	Circlip	
1-3	00382-07	1	Screw	
1-4	00438-33	1	O-ring	
1-5a	10000-01	1	Cylinder head	LMP 175X LMP 207X
1-5b	00870-90	1	Cylinder head	LMP 239X
1-6	00338-37	1	O-ring	
1-7	00532-03	1	Lock nut	
1-8	05018-02	1	Adjustment ring	
1-9	05220-05	1	Cylinder tube	LMP 175X
	05220-03	1	Cylinder tube	LMP 207X
	05220-04	1	Cylinder tube	LMP 239X
1-10	00329-03	2	Circlip	
1-11	01293-05	1	Sleeve	
1-12	05129-04	1	Seal head assy	
1-12-1	05115-01	1	Stop rubber	
1-12-2	01056-13	1	Bushing	
1-12-3	01027-01	1	X-ring	
1-12-4	01032-01	1	Back-up ring	
1-12-5	05122-02	1	Seal head	
1-12-6	01031-02	1	Scraper	
1-12-7	00576-01	1	O-ring	
1-13	00575-01	1	Circlip	
1-14	01065-02	1	End cap	