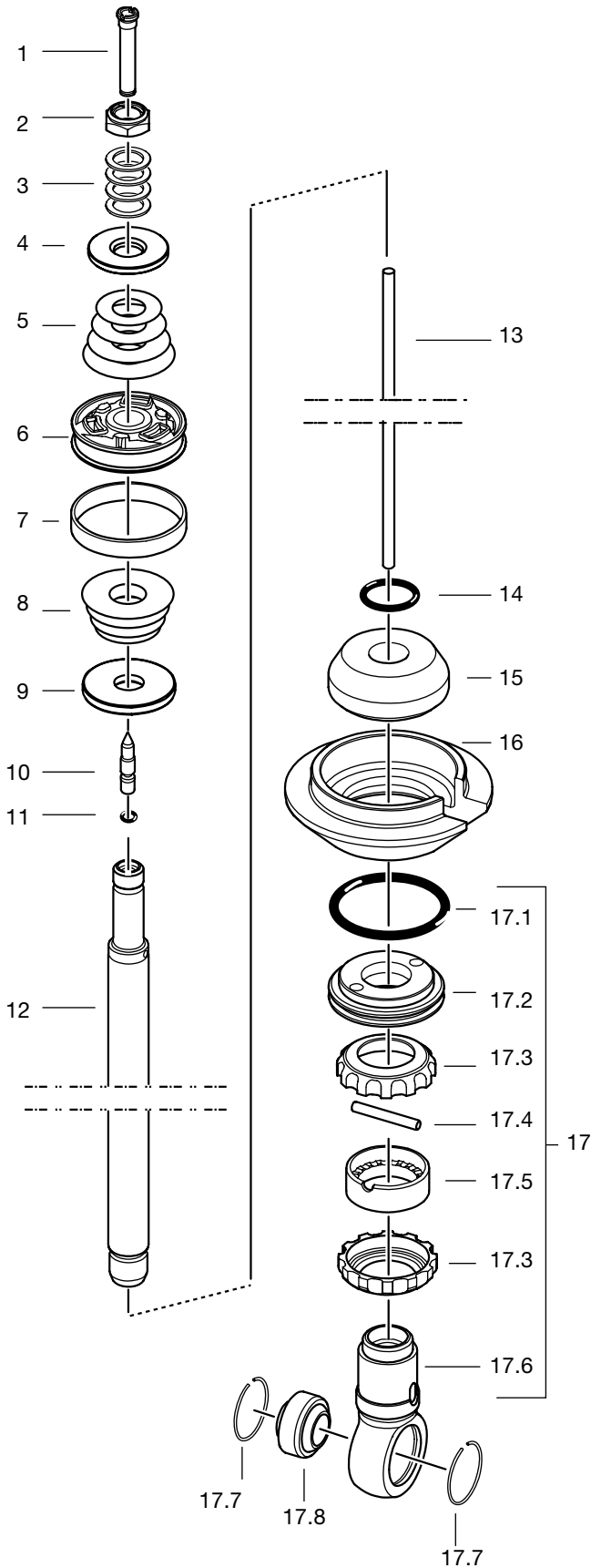


Figure 3 - Shaft Assembly



Pos	Part No	Pcs	Description	Notes
3-1	05621-03	1	Shaft jet	
3-2	00539-01	1	Lock nut	
3-3	00578-01	-	Washer	See spec. card
3-4	00519-12	1	Stop washer	
3-5	-	-	Shim stack	Rebound See spec. card
3-6	03366-40	1	Piston	
3-7	00541-01	1	Piston ring	
3-8	-	-	Shim stack	Compression See spec. card
3-9	00519-04	1	Stop washer	
3-10	05655-03	1	Adjustment needle	
3-11	00338-14	1	O-ring	
3-12	05500-13	1	Shaft	LMP 175X
	05500-03	1	Shaft	LMP 207X
	05500-17	1	Shaft	LMP 239X
3-13	00566-80	1	Adjustment shaft	LMP 175X
	00566-70	1	Adjustment shaft	LMP 207X
	00566-92	1	Adjustment shaft	LMP 239X
3-14	00438-47	1	O-ring	
3-15	00563-03	1	Bump rubber	
3-16	00629-04	1	Spring clip	
3-17	01255-18	1	End eye assy	
	3-17-1	00338-84	O-ring	
	3-17-2	05017-03	Stop washer	
	3-17-3	01016-01	2	Seal
	3-17-4	01030-01	1	Pin
	3-17-5	01128-01	1	Adjustment knob
	3-17-6	01054-18	1	End eye
	3-17-7	00557-01	2	Circlip
	3-17-8	05536-19	1	Ball joint