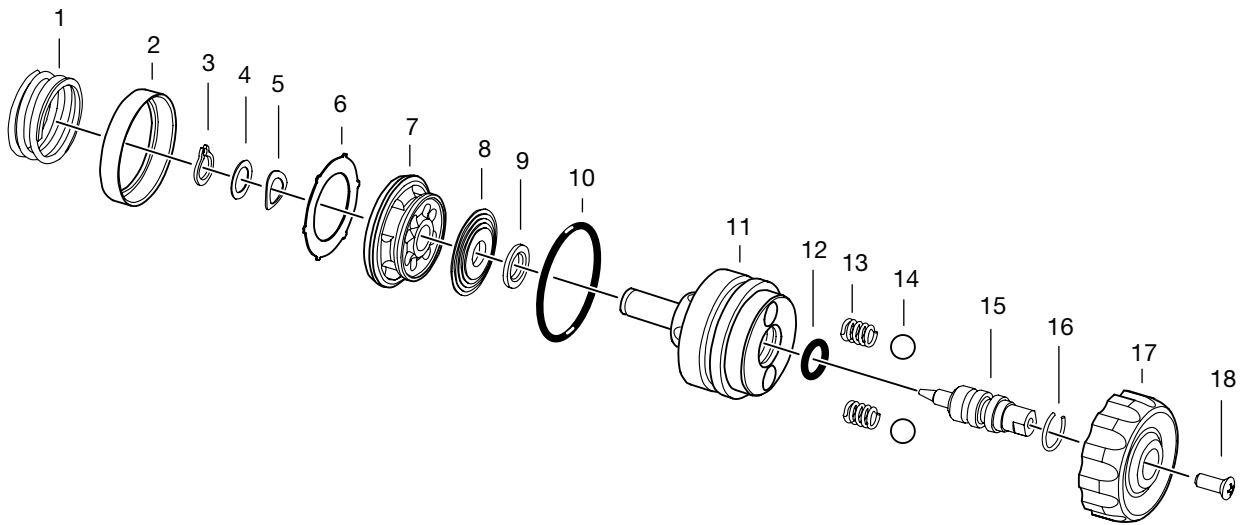


Figure 4 - Compression Valve



Pos	Part No	Pcs	Description	Notes
4-1	21046-30	1	Spring	
4-2	21047-01	1	Check valve housing	
4-3	05009-06	1	Circlip	
4-4	21048-02	-	Shim	See spec. card
4-5	21048-01	-	Wave shim	See spec. card
4-6	21045-02	1	Check valve shim	
4-7	21044-20	1	Valve	
4-8		-	Shim stack	See spec. card
4-9		1	Washer	See spec. card
4-10	00438-02	1	O-ring	
4-11	21043-02	1	End piece	
4-12	00338-79	1	O-ring	
4-13	00833-01	2	Spring	
4-14	00884-07	2	Ball	
4-15	01242-12	1	Adjustment needle	
4-16	01473-06	1	Circlip	
4-17	00820-02	1	Knob	
4-18	00828-01	1	Screw	